



10 Quart Planetary Bench Mixer

*The Perfect Mix of Value,
Performance & Durability*

Features front mounted touch pad control panel with 60-minute digital timer!



Model

□ SP10

Standard Features

- Powerful 1/3 HP custom built motor
- Gear-driven, high-torque transmission
- Heat-treated hardened steel alloy gears & shafts
- Three fixed speeds
- Permanently lubricated transmission
- Thermal overload protection
- Front-mounted touch pad controls with 60-minute digital timer and last-batch recall
- Removable stainless steel, interlocking bowl guard with built-in fully welded ingredient chute
- Interlocked bowl lift
- Rigid cast iron body
- Industry standard #12 attachment hub
- NSF approved enamel gray paint
- 6-foot cord and ground plug

Standard Accessories

- 10 qt (#304 series) stainless steel bowl
- Aluminum flat beater
- Stainless steel wire whip
- Aluminum spiral dough hook
- Non-slip rubber feet

Warranty

- *Two year parts and labor*

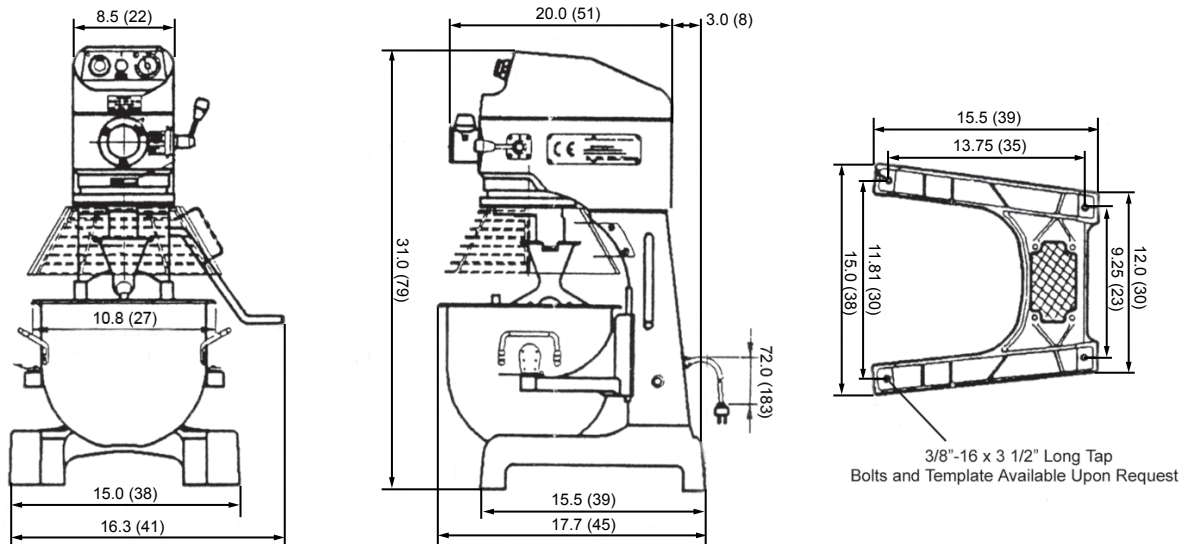
Optional Accessories

- Slicer/shredder/grater for #12 hub
- Meat grinder for #12 hub
- Stainless steel flat beater
- Stainless steel spiral dough hook
- Mixer table with undershelf
- Extended warranty

To select options, see complete list on back



Approved by: _____ Date: _____



UNIT: INCHES (CM)

Drawings available through KCL at www.kclcad.com.

DIMENSIONS & SHIPPING INFORMATION

Carton reinforced for shipping. The weight and dimensions of this reinforced carton are included below and may vary from shipment to shipment. **This product ships on a pallet. Freight class 85.**

Model	Base Foot Print	Overall Dimensions	Net Wt	Shipping Dimensions	Shipping Wt
SP10	15" w x 15.5" d (38 cm x 39 cm)	16.3" w x 17.7" d x 31" h (41 cm x 45 cm x 79 cm)	135 lbs (60 kg)	32" w x 40" d x 42" h (81 cm x 102 cm x 107 cm)	245 lbs (111 kg)

Cord & Plug: Attached 6-foot flexible 3-wire cord with molded plug fits a grounded receptacle. NEMA 5-15P

SPECIFICATIONS

Model	Motor	Volts	Amps	Transmission Type	Capacity	Controls	Agitator Speeds (RPMs)			Attachment Speeds (RPMs)		
							1st	2nd	3rd	1st	2nd	3rd
SP10	1/3 HP	115/60/1	5	Gear	10 qt 9 liter	Front-mounted digital controls & timer	104	194	353	59	110	201

Mixer is constructed of a rigid cast iron body with front-mounted controls and a digital 60-minute timer with last-batch recall. Mixer has a 1/3 HP custom built motor with overload protection and gear-driven, high torque permanently lubricated transmission consisting of heat-treated hardened steel alloy gears and shafts. Mixer comes with 10 qt. stainless steel bowl, aluminum flat beater, stainless steel wire whip, and aluminum dough hook and non-slip rubber feet. Interlocked with removable stainless steel bowl guard with fully welded on ingredient chute. Mixer has #12 attachment hub and interlocked bowl lift. Mixer is NSF and ETL listed. Two year parts and labor warranty.

OPTIONAL MIXER ACCESSORIES AND HUB ATTACHMENTS:

MIXER:

- XXBOWL-10** stainless steel (S/S) bowl
- XXBEAT-10** Aluminum flat beater
- XXBEAT-10SS** S/S flat beater
- XXHOOK-10** Alum. spiral dough hook
- XXHOOK-10SS** S/S spiral dough hook
- XXWHIP-10** S/S wire whip
- XXHDWHIP10-4** Heavy-duty 2 mm S/S wire whip
- XTable** S/S countertop mixer table with under shelf (30" W x 24" D x 24" H)

HUB:

- XVSGH 9"** Slicer/Shredder/Grater housing only (no plates included-must select from plates listed on this sheet)

- XASP** Adjustable slicing plate (for vegetables only)
- XPH** Plate holder -*only 1 required

Shredding Plates:

- XSP332*** 3/32" (2.3 mm)
- XSP316*** 3/16" (4.7 mm)
- XSP14*** 1/4" (6.3 mm)
- XSP516*** 5/16" (7.9 mm)
- XSP12*** 1/2" (12.7 mm)
- XGP*** Grating plate
- XMCA-SS** Meat grinder assembly (Polished stainless steel cylinder, worm gear, ring, and s/s pan. Includes knife, 3/16" plate, and pusher.)
- XXCK** Chopper knife for the XMCA-SS

Chopper Plate Sizes Available:

- CP02-12** 1/16" (2 mm)
- CP04-12** 5/32" (4 mm)
- CP05-12** 3/16" (5 mm)
- CP06-12** 1/4" (6 mm)
- CP08-12** 5/16" (8 mm)
- CP10-12** 3/8" (10 mm)
- CP12-12** 1/2" (12 mm)
- CP14-12** 9/16" (14 mm)
- CP16-12** 5/8" (16 mm)
- CP18-12** 11/16" (18 mm)
- CP00-12** Stuffing plate
- XST12** 1/2" Stuffing tube (mutton)
- XST34** 3/4" Stuffing tube (pork)

- FACTORY INSTALLED OPTION: XXCORR-10** Correctional package, includes tamper resistant external fasteners.

- EXTENDED WARRANTY SP-XD1020** Extended warranty for SP10 mixer, extends factory warranty to 2-years. **Available only at time of purchase.**